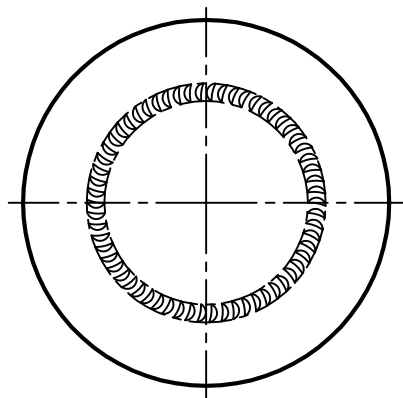
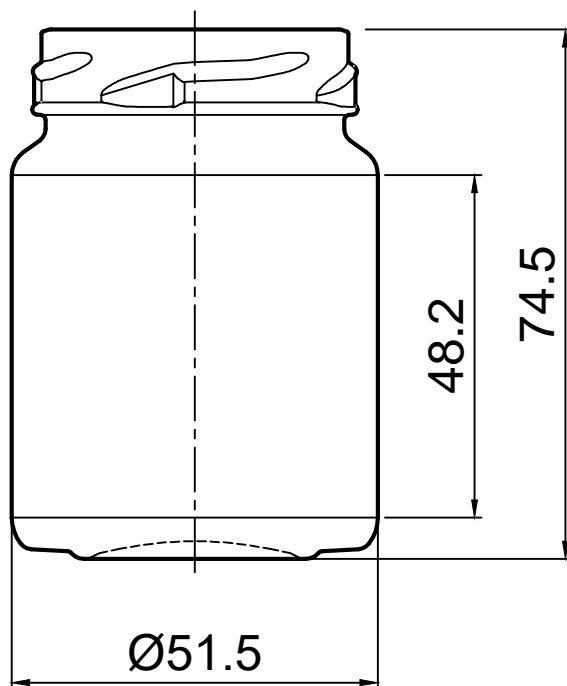

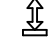



# UNIVERSALGLAS 106ML

## 3.103-III-C48-106



-  Capacity: **106ml**
-  Weight: **90g**
-  Height: **74.5mm**
-  Diameter: **51.5mm**
-  Finish: **TO-48(Stopper)**
-  Pallet: **1200x1000x923mm**
-  Quantity: **4950pcs**
-  Weight of: **490.5kg**  
pallet