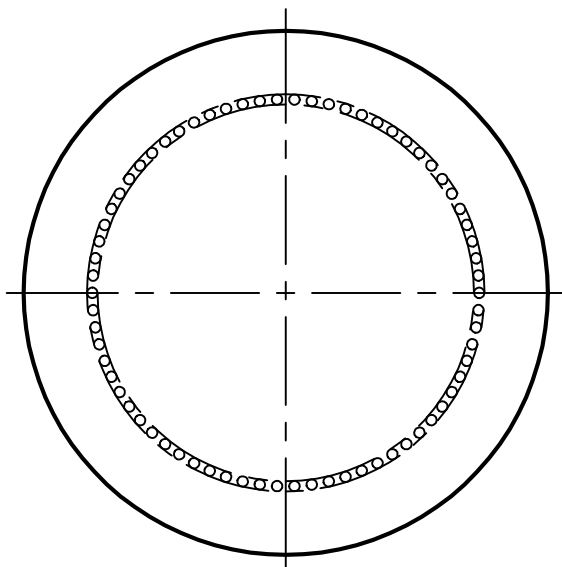
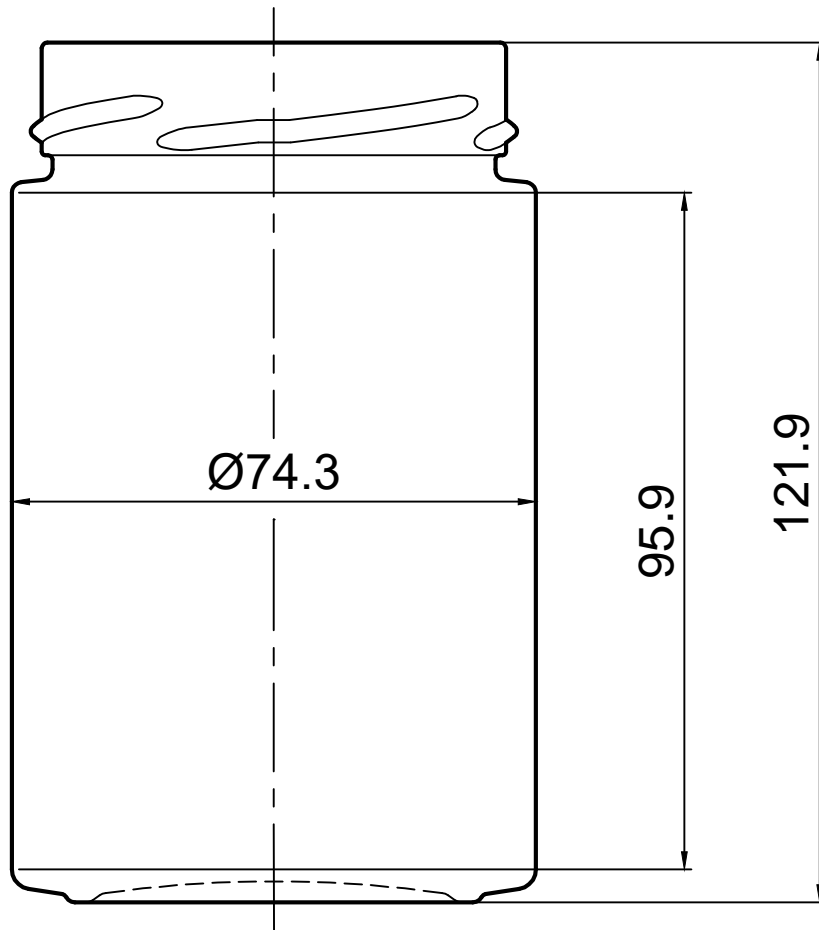




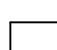




# ELENA 370ML

## 3.92-III-4-70-370



-  Capacity: **370ml**
-  Weight: **215g**
-  Height: **121.9mm**
-  Diameter: **74.3mm**
-  Finish: **TO-70 DEEP**
-  Pallet: **1200x1000x1145mm**
-  Quantity: **1864pcs**
-  Weight of: **446kg**  
pallet