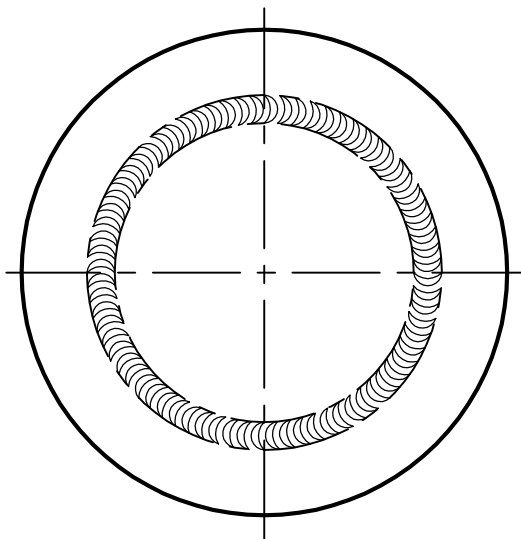
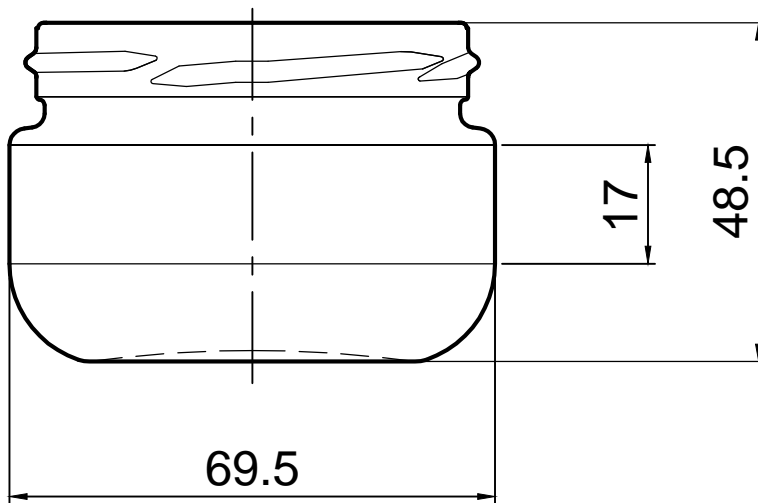










STANDARD CAVIAR 100ML

3.23-III-4-66-100



-  Capacity: **100ml**
-  Weight: **90g**
-  Height: **48.5mm**
-  Diameter: **55mm**
-  Finish: **TO-66**
-  Pallet: **1200x1000x1815mm**
-  Quantity: **8448pcs**
-  Weight of: **815kg**
pallet